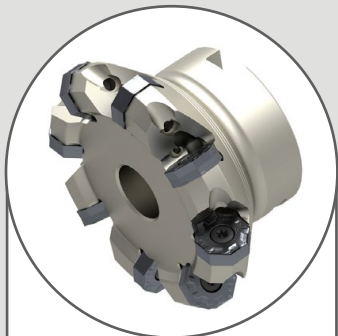


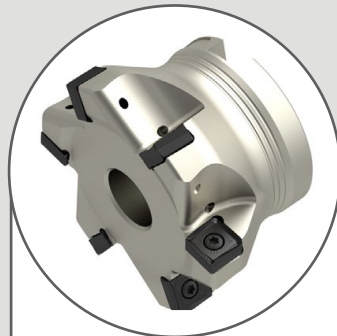
BUY 10 INSERTS PER POCKET, RECEIVE 1 FREE* CUTTER BODY

MAXIMILL INDEXABLE MILLING



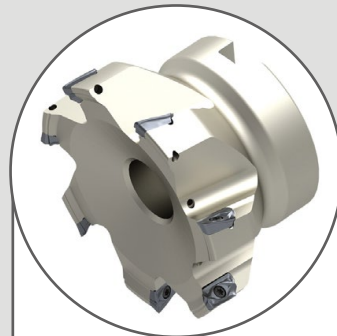
273

Ideal for
finishing and
cast-iron
machining



491

Universal
application in
a variety of
materials



211

Excellent for
roughing and
semi-finishing



251

Perfect for
contouring /
versatile and
efficient

For more information, please visit: <https://cutting.tools/maximill>

Send PO to customerservice.usa@ceratizit.com and reference promo code: **M08**

Offer valid until June 30, 2023. *Must purchase 10 inserts per pocket of the free cutter body. Can receive additional free cutter bodies if additional required inserts purchased.

Promotional details are subject to change without notice. Promotional orders must ship directly to the end-user. Tools ordered via this promotion cannot be returned. All ground shipments are free of charge. Normal payment terms apply. This offer cannot be combined with other offers. Offer not available for blanket orders.

SPECIAL OFFER

TEAM CUTTING TOOLS



CERATIZIT is a high-technology engineering group specialized in cutting tools and hard material solutions.

Tooling a Sustainable Future

cuttingtools.ceratizit.com

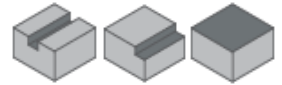
MaxiMill 273 - Face milling system with 16 useable cutting edges

- ▲ Excellent surface quality
- ▲ Positive insert with an approach angle of 44.6°
- ▲ Soft cutting geometries
- ▲ Suitable grades for iron, steel, stainless, and HRSA's



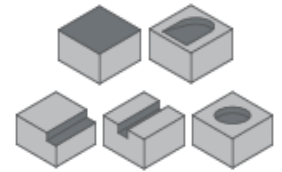
MaxiMill 491 - Double-sided 90° shoulder milling system

- ▲ Eight usable cutting edges per indexable insert
- ▲ Exact 90° design for shoulder milling
- ▲ Precise indexing within .0008"
- ▲ Rough and finish with the same insert



MaxiMill 211 - Universal shoulder milling with a true 90° approach angle

- ▲ Maximum depths of cut for roughing
- ▲ Notched insert design for stability when plunging
- ▲ Applicable grades and chip breakers for all ISO materials
- ▲ Broad range of milling strategies



MaxiMill 251 - Universal shell mill

- ▲ Button-style insert design for contouring
- ▲ Suited for low power machines
- ▲ Secure in unstable conditions
- ▲ Ideal for multi-axis machining



DRAGONSKIN by CERATIZIT

Decades of experience and the consistent demand for ongoing development can be found in the unique Dragonskin coating technology. Our innovative strength and expert know how in powder metallurgy enables us – and you – to achieve unrivaled performance in machining.

Like the invulnerability of the dragon's skin, the Dragonskin coating technology offers maximum protection against wear and its impenetrable layer is developed to function in the most adverse conditions. The result is an extremely hard and indestructible surface with a satin-like finish.

The perfect combination of state-of-the-art high-performance substrates and advanced coating structure achieves high cutting speeds and increased process security. A proven – up to 80% – increase in performance thanks to the Dragonskin coating technology offering you a significant competitive advantage.

DRAGONSKIN



CERATIZIT USA, Inc.
800-783-2280
info.usa@ceratizit.com

Part of the Plansee Group

For more information, visit our website:



#13060108